

# C1448 – 1400 lb Cube Ice Machine

Prodigy Modular Cube Ice Maker

**PRELIMINARY DRAFT**



Shown on BH900S-C bin.

## Features

Prodigy cubers use **significantly less energy and water** than other cube ice machines, exceeding pending California and Federal energy efficiency regulations.

**Auto-Alert™ indicator lights** constantly communicate about operating status and actually signal your staff when it's time to descale, sanitize, and more—making upkeep practically foolproof.

The patented **WaterSense™ adaptive purge control** delivers maximum reliability by reducing scale buildup for a longer time between cleanings.

**Preventative maintenance is simpler** than ever with easily-removed panels allowing clear access to internal components and a diagnostic code display insuring the right fix the first time. Reusable air filter is easily removable from the outside.

All external panel components are crafted for **optimal aesthetic appeal** through superior fit and finish.

An optional **advanced feature SmartBoard™** provides NAFEM data protocol and additional operational data that can be displayed on-screen or transmitted remotely, resulting in early alert and fast diagnosis of operating issues.

An optional **Vari-Smart™ ultrasonic ice level control** sensor allows you flexibility to program ice levels, for up to 7 days, keeping just the right amount of freshly made ice in the bin.

## 24 Hour Volume Production

| Air-Cooled                      |              |  | Water-Cooled                    |              |  | Remote                          |              |  |
|---------------------------------|--------------|--|---------------------------------|--------------|--|---------------------------------|--------------|--|
| 70°F/21°C<br>50°F/10°C<br>lb/kg | Air<br>Water | ARI<br>90°F/32°C<br>70°F/21°C<br>lb/kg | 70°F/21°C<br>50°F/10°C<br>lb/kg | Air<br>Water | ARI<br>90°F/32°C<br>70°F/21°C<br>lb/kg | 70°F/21°C<br>50°F/10°C<br>lb/kg | Air<br>Water | ARI<br>90°F/32°C<br>70°F/21°C<br>lb/kg |
| 1613/732                        |              | 1126/511                               | 1566/710                        |              | 1365/619                               | 1597/724                        |              | 1201/545                               |



\* Stainless Steel with Galvanized Back & Bottom.

## Modular Bin Options

| Model Number | Dimensions W" x D" x H" | ARI Certified Bin Capacity lb/kg | Application Capacity lb/kg | Finish     | Ship Weight lb/kg |
|--------------|-------------------------|----------------------------------|----------------------------|------------|-------------------|
| B948S        | 48 x 34 x 44            | 700/319                          | 893/406                    | SS         | 220/100           |
| BH900S-C     | 48 x 35 x 44            | 740/336                          | 940/426                    | SS         | 200/91            |
| BH1100BB     | 48 x 34 x 50            | 860/390                          | 1100/499                   | SS w/ GBB* | 280/127           |
| BH1100SS     | 48 x 34 x 50            | 860/390                          | 1100/499                   | SS         | 280/127           |
| BH1300BB     | 60 x 34 x 50            | 1100/499                         | 1400/635                   | SS w/ GBB* | 310/140           |
| BH1300SS     | 60 x 34 x 50            | 1100/499                         | 1400/635                   | SS         | 310/140           |



Bin: BH1100SS



Bin: BH900S

## Cube Sizes



Small Cube  
7/8" x 7/8" x 3/8"  
(2.22 x 2.22 x .95 cm)

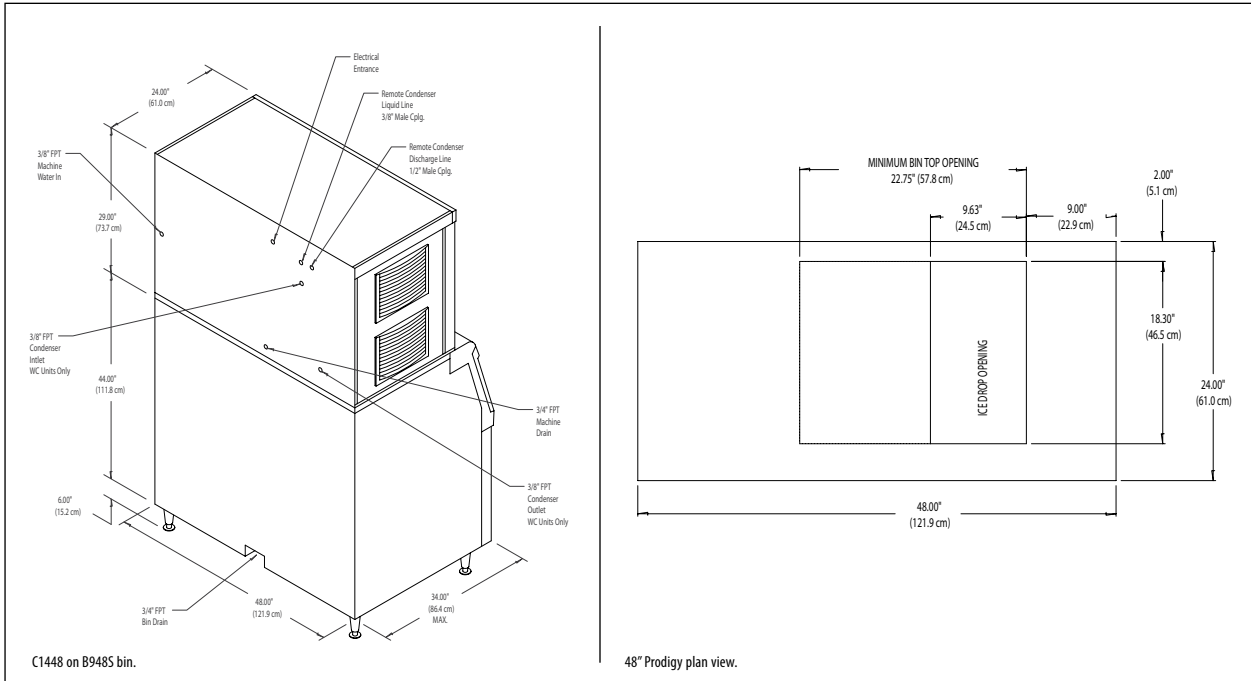


Medium Cube  
7/8" x 7/8" x 7/8"  
(2.22 x 2.22 x 2.22 cm)

## Warranty

- 3 years parts and labor on all components.
- 5 years parts and labor on the evaporator.
- 5 years parts on the compressor and condenser.

Warranty valid in North, South & Central America.  
Contact factory for warranty in other regions.



## Specifications

| Model Number*<br>Cube Size: medium or small | Condenser Unit | Basic Electrical<br>Volts/Hz/Phase | Max. Fuse Size<br>or HACR Circuit<br>Breaker (amps) | Circuit<br>Wires | Min. Circuit<br>Ampacity | Power Consumption<br>kWh/100 lb (45.4 kg)<br>90°F(32°C)/70°F(21°C) | Water Usage<br>Gallons/100 lb (45.4 kg) |  |
|---|----------------|------------------------------------|---|------------------|--------------------------|--|---|--|
|   |                |                                    |   |                  |                          |  | Potable<br>90°F(32°C)/<br>70°F(21°C)    | Condenser<br>90°F(32°C)/<br>70°F(21°C) |
| C1448MA-32A                                 | Air            | 208-230/60/1                       | 30  | 2                | 17.7                     | 4.8  | 18.4                                    | -                                      |
| C1448MR-32A                                 | Remote         | 208-230/60/1                       | 30  | 2                | 17.0                     | 4.9  | 18.6                                    | -                                      |
| C1448MW-32A                                 | Water          | 208-230/60/1                       | 30  | 2                | 16.0                     | 3.7  | 18.3                                    | 124.0                                  |
| C1448SA-32A                                 | Air            | 208-230/60/1                       | 30  | 2                | 17.7                     | 4.8  | 18.4                                    | -                                      |
| C1448SR-32A                                 | Remote         | 208-230/60/1                       | 30  | 2                | 17.0                     | 4.9  | 18.6                                    | -                                      |
| C1448SW-32A                                 | Water          | 208-230/60/1                       | 30  | 2                | 16.0                     | 3.7  | 18.3                                    | 124.0                                  |

\* 208-230/60/3 Voltage - Substitute "-3" in place of "-32", i.e. C1448SA-3A.

## All Models

Dimensions (W x D x H):  
Unit: 48" x 24" x 29"  
(121.9 x 70.0 x 73.7 cm)  
Shipping Carton: 51.5" x 27.5" x 34"  
(130.8 x 69.9 x 86.4 cm)

Shipping Weight - 345 lb / 157 kg  
BTU's per hour - 12,000

## Accessories

| Model Number | Description   |
|--------------|---|
| KVS          | Vari-Smart™ Ice Level Control - Program ice bin levels to match ice needs.                    |
| KSB          | Smart-Board™ - Use additional operational data for fast diagnosis.                            |
| ERC311-32A   | Remote Condenser for C1448xR, 208-230/60/1 - Consult Remote Condenser Spec Sheet for details. |
| RTE10        | Line set, Precharged, R-404A, 10 ft.  |
| RTE25        | Line set, Precharged, R-404A, 25 ft.  |
| RTE40        | Line set, Precharged, R-404A, 40 ft.  |
| RTE75        | Line set, Precharged, R-404A, 75 ft.  |

\* Scotsman recommends all ice machines have water filtration. See Scotsman Sanitation Matrix for details.

## Operating Requirements

|                    | Minimum           | Maximum            |
|--------------------|-------------------|--------------------|
| Air Temperatures   | 50°F (10°C)       | 100°F (38°C)       |
| Water Temperatures | 40°F (4.4°C)      | 100°F (38°C)       |
| Remote Cond. Temps | -20°F (-29°C)     | 120°F (49°C)       |
| Water Pressures    | 20 PSIG (1.4 bar) | 120 PSIG (8.3 bar) |
| Electrical Voltage | -5%               | +10%               |