

# EC 126 EASY FIT

Self Contained Ice Machine up to 74 kg

|           |
|-----------|
| Item #:   |
| Project:  |
| Quantity: |



## FEATURES

- Produces individual Gourmet crystal clear supercubes.
- Resistant stainless steel exterior. Advanced diagnostics computerized control.
- Front panel in and out airflow (air cooled model only) for built-in installation.
- Front access condenser air filter, removable and washable (air cooled model only).
- Easily accessible front ON-OFF switch. Routine maintenance visible alarm light on front panel.
- Ergonomically designed ice storage access, with disappearing door. Door-closing movement dampening system.
- PWD - Progressive Water Discharge: pumps excess residual water up to a distance of 15 meters.



EC L 126  
Large Gourmet 39 g  
Ø 38 x H 41 mm



EC M 126  
Medium Gourmet 20 g  
Ø 30 x H 34 mm

## CONDENSING SYSTEM

Air cooled  
Water cooled

## INTERNAL BIN CAPACITY

34 kg

## REFRIGERANT GAS

R404A

## OPERATING REQUIREMENTS

|                    | Minimum           | Maximum           |
|--------------------|-------------------|-------------------|
| Air temperature    | 10°C              | 43°C              |
| Water temperature  | 5°C               | 38°C              |
| Water pressure     | 1 bar<br>(14 psi) | 5 bar<br>(70 psi) |
| Electrical voltage | -10%              | +10%              |

## VOLTAGE V/Hz/ph

230/50/1

Certifications:



**IMPORTANT NOTICE:**  
Models and specifications are subject to change without notice. This spec sheet is meant for commercial purpose only. For technical documentation please refer to our service manuals.

Download our free App Scotsman Ice  
Apple store  
Google play  
Windows store



[www.scotsman-ice.it](http://www.scotsman-ice.it)  
[www.scotsman-ice.com](http://www.scotsman-ice.com)

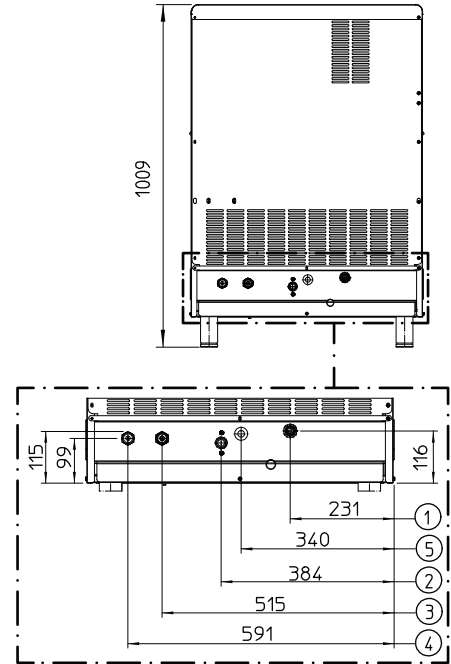
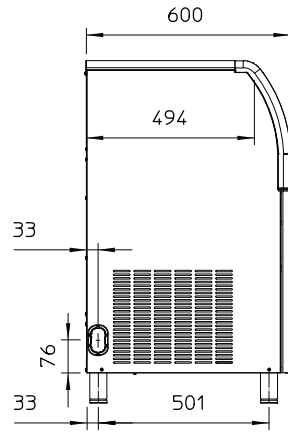
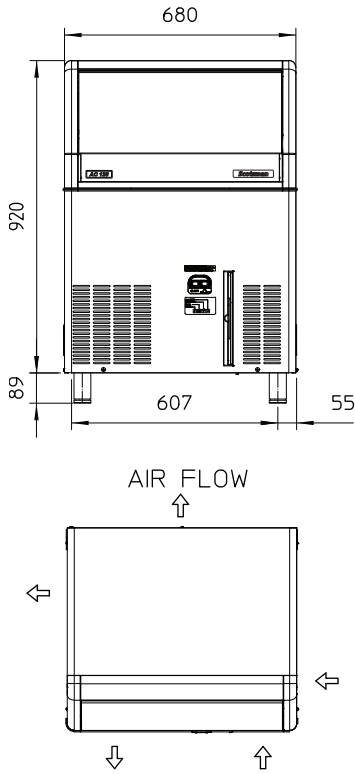
Self Contained Ice Machine up to 74 kg

# EC 126 EASY FIT

Self Contained Ice Machine up to 74 kg

|           |
|-----------|
| Item #:   |
| Project:  |
| Quantity: |

Self Contained Ice Machine up to 74 kg



UNIT OF MEASUREMENT: mm

1. 13/16" WATER OUTLET
2. 3/4" GAS - WATER INLET
3. 3/4" GAS - WATER OUTLET  
WATER COOLED UNIT ONLY
4. 3/4" GAS - WATER INLET  
WATER COOLED UNIT ONLY
5. CORD SET

| UNIT DATA          |                     | Compressor  |          | Circuit wires |      | Max. fuse size |                  |    |
|--------------------|---------------------|-------------|----------|---------------|------|----------------|------------------|----|
|                    |                     | Version     | Voltage  | Btu/h         | W    | No.            | Ømm <sup>2</sup> | A  |
| Size (W x D x H)   | 680 x 600 x 1010 mm | EC L 126 AS | 230/50/1 | 4913          | 1440 | 3              | 1.5              | 10 |
| Net weight         | 67 kg               | EC M 126 AS | 230/50/1 | 4948          | 1450 | 3              | 1.5              | 10 |
| SHIPPING DATA      |                     | EC L 126 WS | 230/50/1 | 4913          | 1440 | 3              | 1.5              | 10 |
|                    |                     | EC M 126 WS | 230/50/1 | 4948          | 1450 | 3              | 1.5              | 10 |
| Carton (W x D x H) | 750 x 670 x 1100 mm |             |          |               |      |                |                  |    |
| Weight             | 77 kg               |             |          |               |      |                |                  |    |

| Version     | Condensation | Voltage  | 24 h ice production kg<br>°C Amb. / °C Water |           |           | Energy consumption* |         | Water usage* | Instant power |
|-------------|--------------|----------|--|-----------|-----------|---------------------|---------|--------------|---------------|
|             |              |          | 10°C/10°C                                    | 21°C/10°C | 32°C/21°C | kWh/100 kg          | kWh/24h | l/h          | W             |
| EC L 126 AS | Air          | 230/50/1 | 63   | 61        | 49        | 28.6                | 14.0    | 5.8          | 770           |
| EC M 126 AS | Air          | 230/50/1 | 70   | 66        | 55        | 24.6                | 13.8    | 5.7          | 740           |
| EC L 126 WS | Water        | 230/50/1 | 70   | 66        | 58        | 24.1                | 13.0    | 68.8         | 600           |
| EC M 126 WS | Water        | 230/50/1 | 74   | 71        | 60        | 20.5                | 12.3    | 70.8         | 580           |

(\*) Data refer to 32°C Amb. / 21°C Water temperature conditions