

NW 1408



Modular Ice Machine up to 660 kg

Item #:
Project:
Quantity:



FEATURES

- Vertical Cube System.
- T304 Stainless Steel Panels.
- Auto-alert Indicator Lights.
- Global standard footprint: strictly follows international imperial standards commonly adopted in the industry of reference.
- One touch cleaning: reduces labor costs and saves time and simplifies cleaning process.
- Front evaporator access: immediate access to the evaporating plate for quick self-maintenance operations.
- Head only ice maker: requires a separate storage bin to collect the ice produced.



NW 1408
Dice 10 g
W 22 x D 22 x H 22 mm



NW H 1408
Half Dice 6 g
W 10 x D 22 x H 28 mm



NW L 1408
Large Dice 15 g
W 28 x D 22 x H 28 mm

CONDENSING SYSTEM

Air cooled
Water cooled

REFRIGERANT GAS

R404A

VOLTAGE V/Hz/ph

230/50/1

RECOMMENDED BINS

Head	Bins		kg
NW 1408	✓	SB530	243
	CBT48EAMCD	SB948	406
	CBT52EAMCD	SB1025	478
	●	UBH1100	553
	●	UBH1600	812

LEGEND:

- ✓ : Perfect combination between ice maker and bin
- : Ice chute cut-out performed upon installation
- CBTxxxxxxx : need additional bin top

Certifications:



OPERATING REQUIREMENTS

	Minimum	Maximum
Air temperature	10°C	43°C
Water temperature	5°C	38°C
Water pressure	1 bar (14 psi)	5 bar (70 psi)
Electrical voltage	-10%	+10%

IMPORTANT NOTICE:
Models and specifications are subject to change without notice. This spec sheet is meant for commercial purpose only. For technical documentation please refer to our service manuals.

Download our free **App Scotsman Ice**
Apple store
Google play
Windows store



www.scotsman-ice.it
www.scotsman-ice.com

Modular Ice Machine up to 660 kg

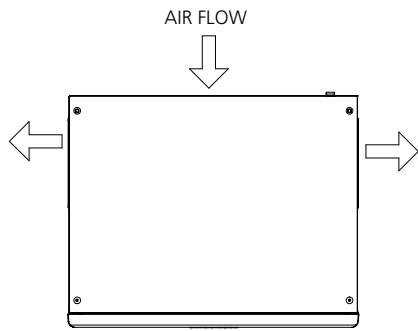
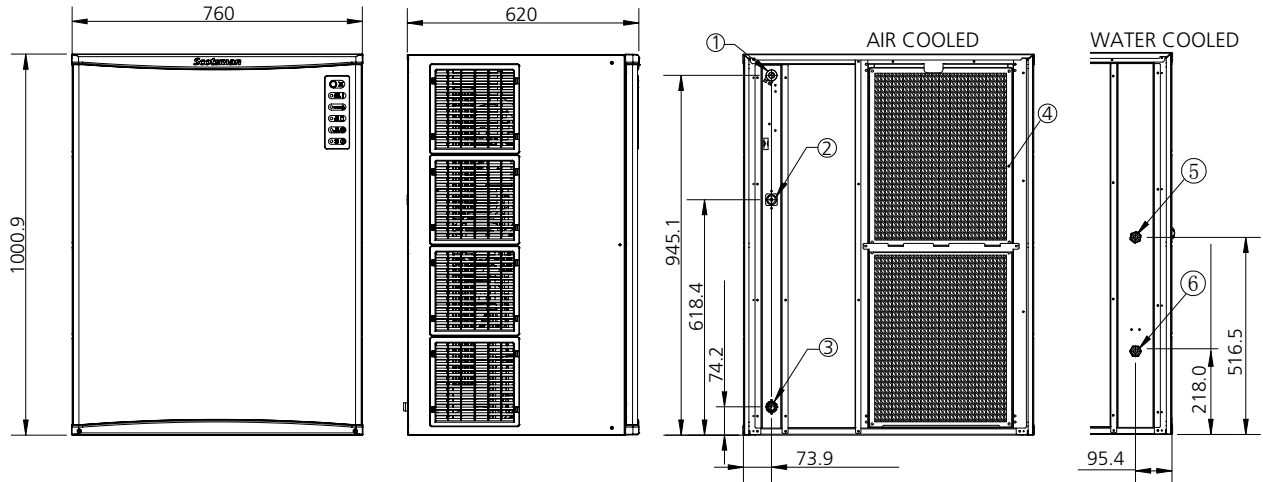
NW 1408



Modular Ice Machine up to 660 kg

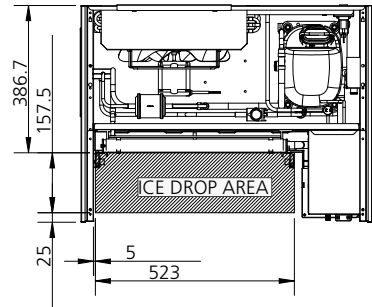
Item #:
Project:
Quantity:

Modular Ice Machine up to 660 kg



UNIT OF MEASUREMENT: mm

1. CORD SET
2. 3/4" GAS WATER INLET
3. 1 3/16" OD - WATER OUTLET
4. AIR INLET / AIR FILTER
5. 3/4" GAS-WATER OUTLET
6. 3/4" GAS-WATER INLET



UNIT DATA	Compressor				Circuit wires		Max. fuse size
	Version	Voltage	Btu/h	W	No.	Ømm ²	A
Size (W x D x H)	765 x 610 x 1000 mm						
Net weight	130 kg						
SHIPPING DATA							
Carton (W x D x H)	830 x 690 x 1160 mm						
Weight	145 kg						

Version	Condensation	Voltage	24 h ice production kg °C Amb. / °C Water			Energy consumption*		Water usage*	Instant power
			10°C/10°C	21°C/10°C	32°C/21°C	kWh/100 kg	kWh/24h	l/h	W
NW 1408 AS	Air	230/50/1	660	650	530	10.8	57.2	31.1	3365
NW H 1408 AS	Air	230/50/1	640	630	500	11.2	56.2	26.6	3365
NW L 1408 AS	Air	230/50/1	620	600	510	10.4	52.8	27.6	3365
NW 1408 WS	Water	230/50/1	660	650	580	9.0	52.4	261.0	3365
NW H 1408 WS	Water	230/50/1	660	660	590	9.3	54.6	292.6	3365
NW L 1408 WS	Water	230/50/1	620	630	560	8.8	49.4	282.8	3365

(*) Data refer to 32°C Amb. / 21°C Water temperature conditions